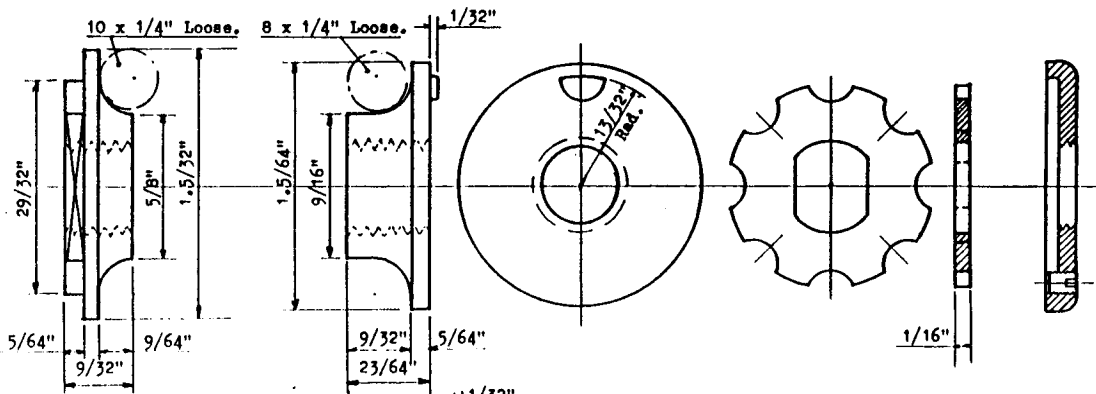
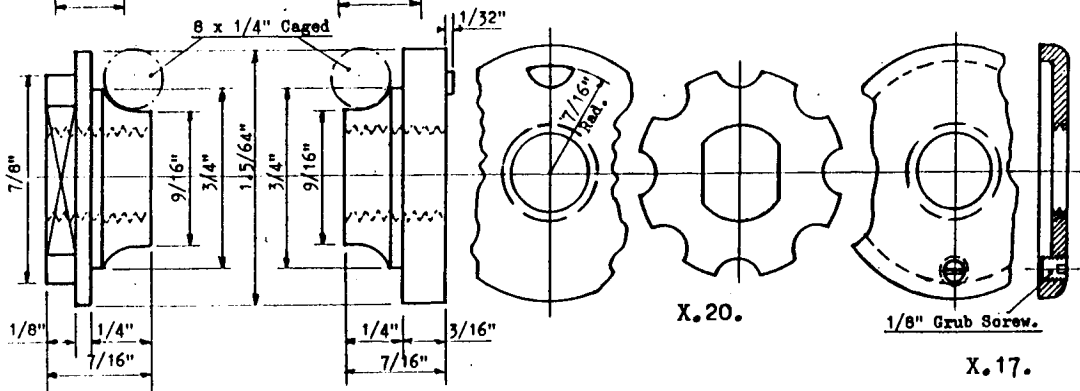


CONES for 1902, 1905, V and C hubs.

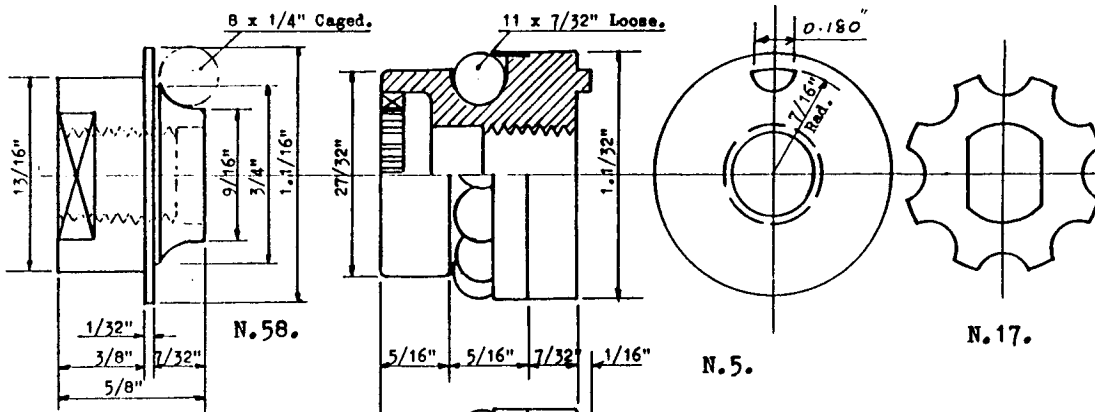
Model of  
1902  
3 - Speed



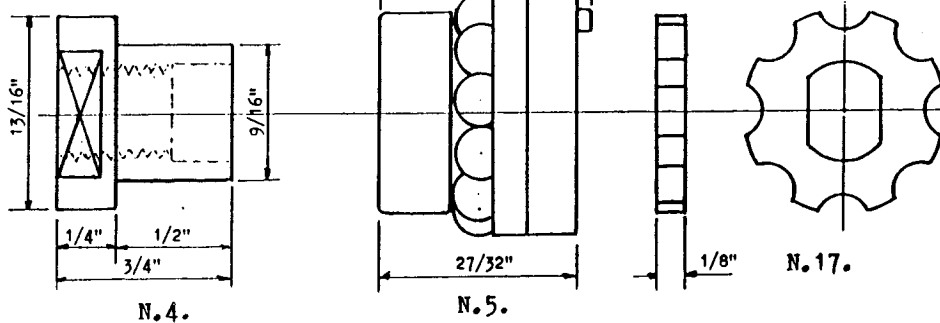
Model of  
1905 - '07  
Later called  
the "X"  
3 - Speed



Model "V"  
1907 - '10  
3 - Speed



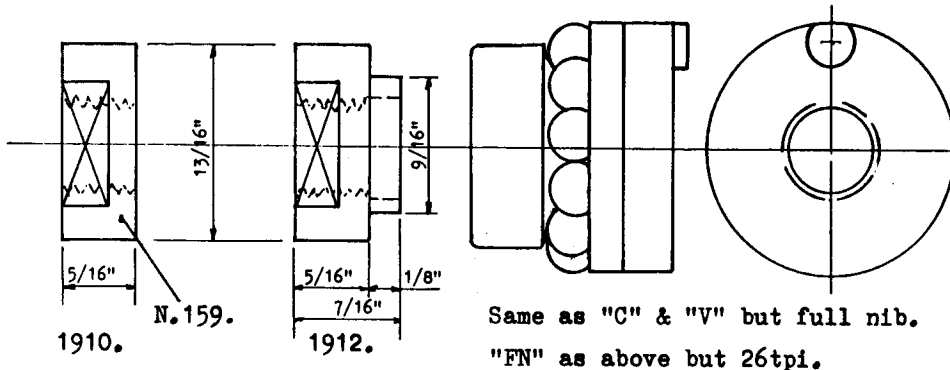
Model "C"  
1905 - '07  
3 - Speed /  
Coaster



All above Cones to suit Axles with 13/32" x 20tpi.  
All L.H. Cones have two flats 5/8" A/F.

J.G. 1996.

**CONES for N, FN, X, FX & A Hubs.**



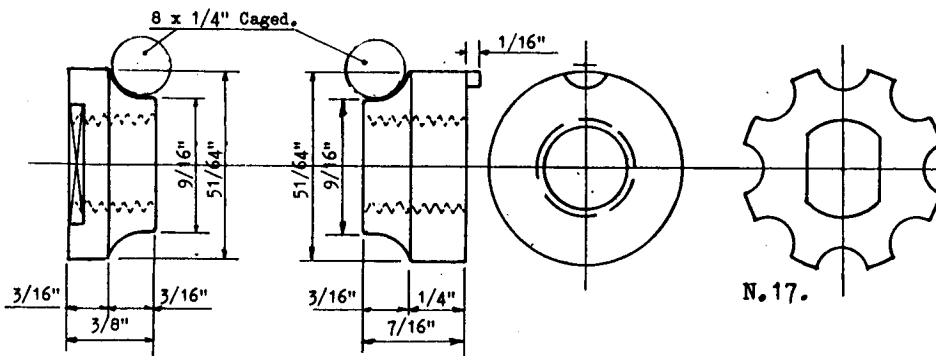
**Model "N" Tricoaster.**  
1910 - 1914.

Axle 13/32" x 20tpi.

**Model "FN" Tricoaster.**  
1914 - 1918.

Axle 13/32" x 26tpi.

R.H. Cone N.221 used after 1918.

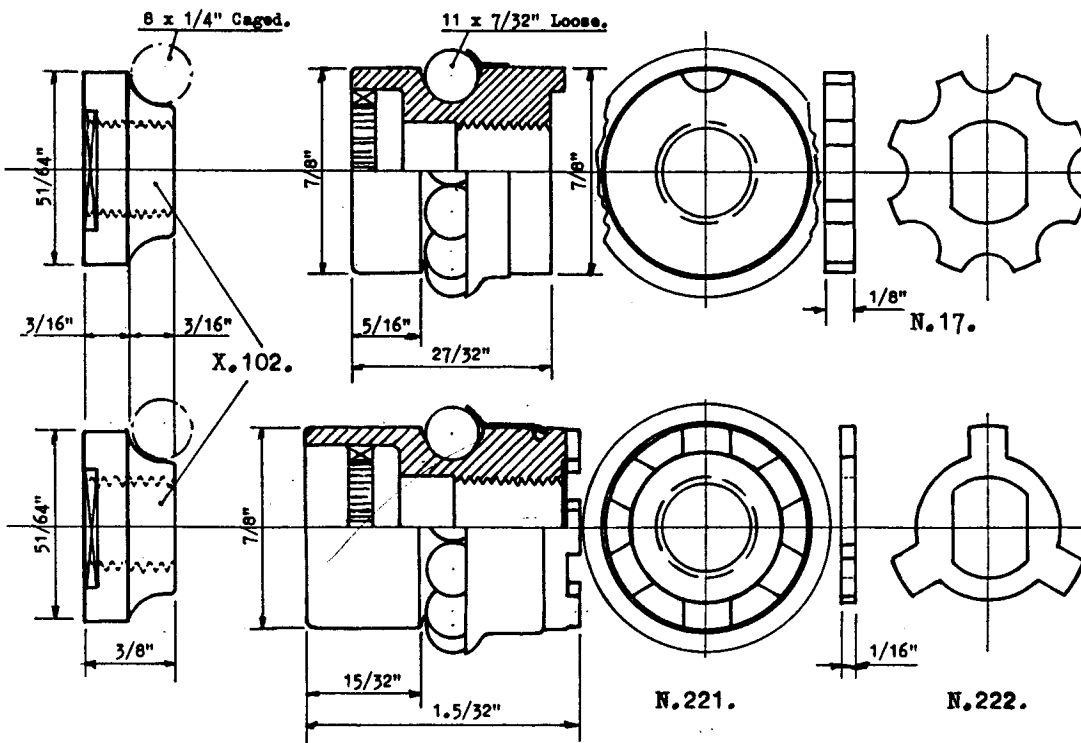


**Model "X" 3 - Speed.**  
1910 - 1914.

Axle 13/32" x 20tpi.

**Model "FX" 3 - Speed.**  
1914.

Axle 13/32" x 26tpi.



**Model "A"**

3 - Speed.  
1914 - c.1918.

Axle 13/32" x 26tpi.

**Model "A"**

3 - Speed.  
c.1918 - 1922.

Axle 13/32" x 26tpi.

**CONES for DYNOHUBS and 3/4 Speed Brake Hubs.**

GL.305.

GL.306Z.

LB.407Z.

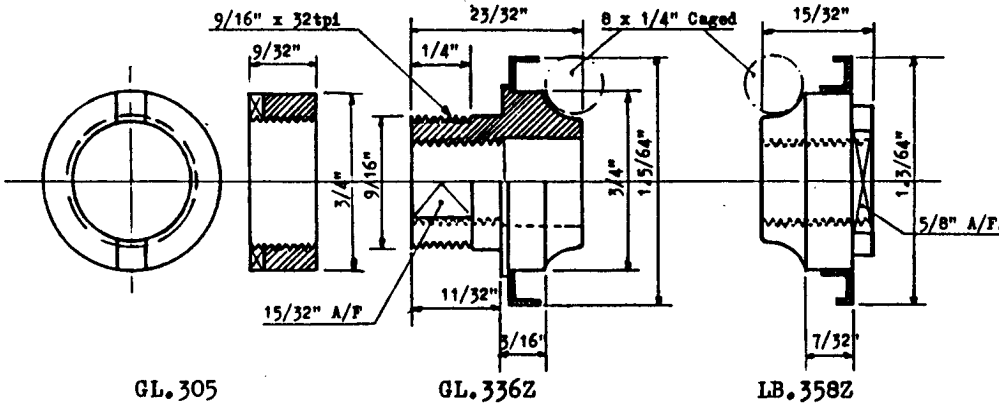
DYNOHUB. 12v.

Above part numbers to suit Cones for 5/16" Axles.

5/16" Axle when introduced.

Dimension as below.

1936.



DYNOHUB. 12v.

1936 - 1938.

DYNOHUB. 8v.

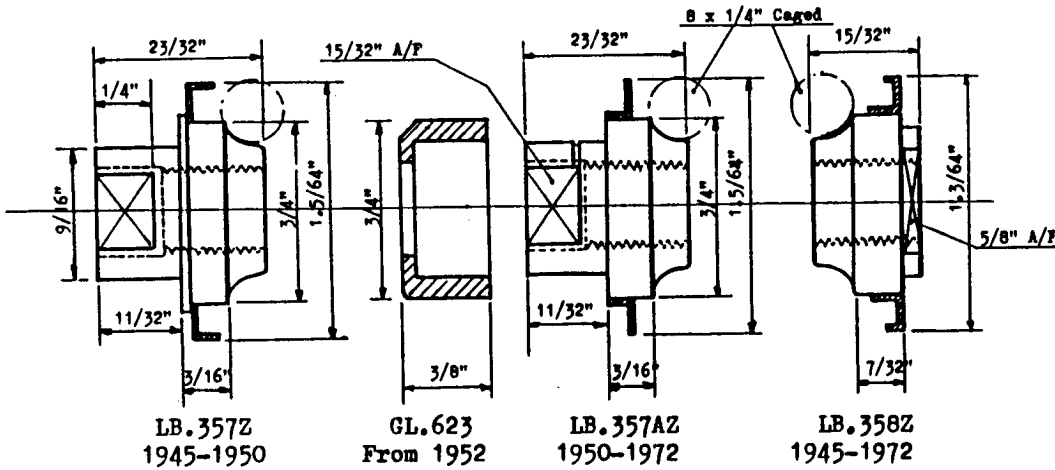
1938 - 1941.

Axle. 3/8" x 26tpi.

GL.305

GL.336Z

LB.358Z



DYNOHUB GH6.

1945 - 1972.

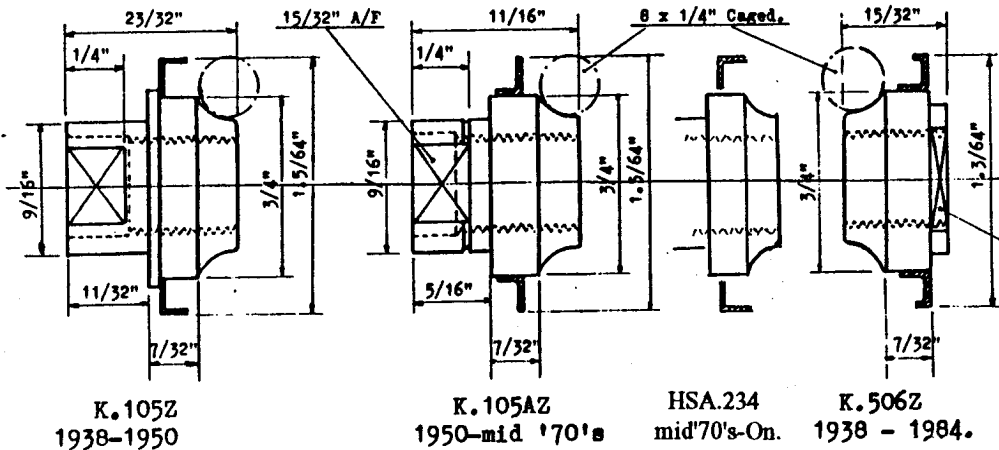
Axle 3/8" x 26tpi

LB.357Z  
1945-1950

GL.623  
From 1952

LB.357AZ  
1950-1972

LB.358Z  
1945-1972



3 - SPEED/DYNO. AG.

1946 - 1984.

3 - SPEED/BRAKE. AB.

1938 - 1984.

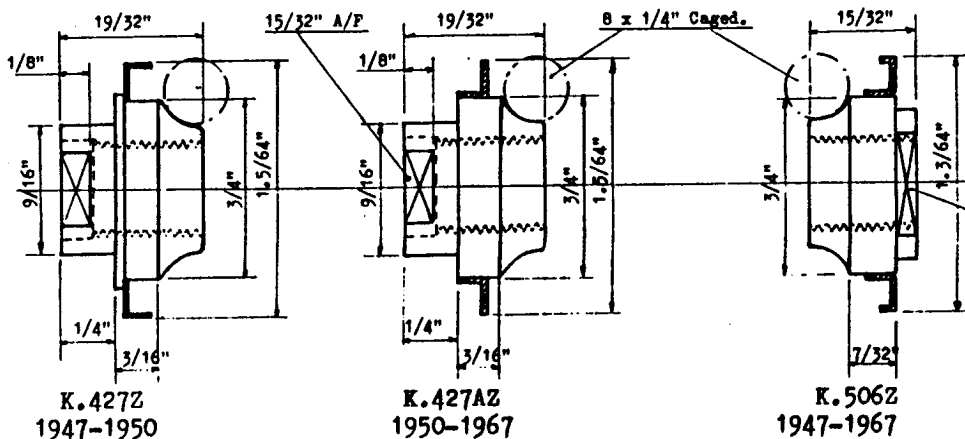
Axle 13/32" x 26tpi.

K.105Z  
1938-1950

K.105AZ  
1950-mid '70's

HSA.234  
mid'70's-On.

K.506Z  
1938 - 1984.



4 - SPEED/DYNO. FG.

1947 - 1967.

4 - SPEED/BRAKE. FB.

1949 - 1952.

Axle 13/32" x 26tpi.

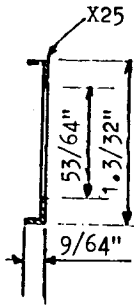
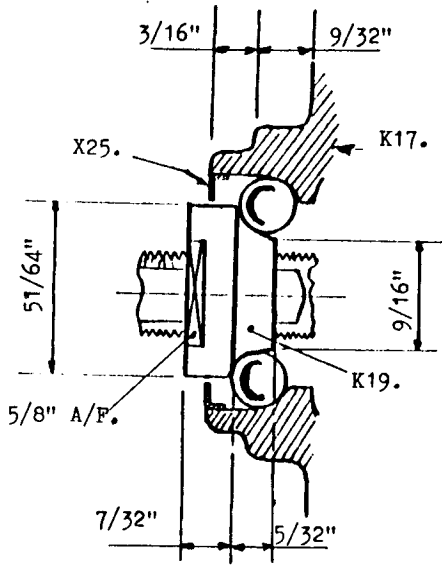
K.427Z  
1947-1950

K.427AZ  
1950-1967

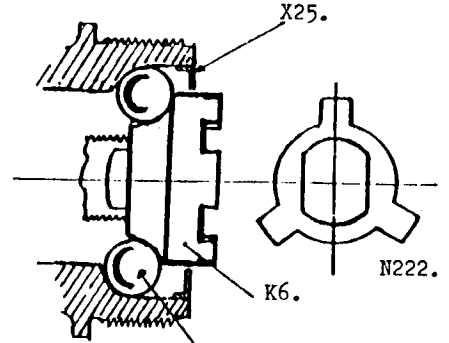
K.506Z  
1947-1967

**MODEL K.**

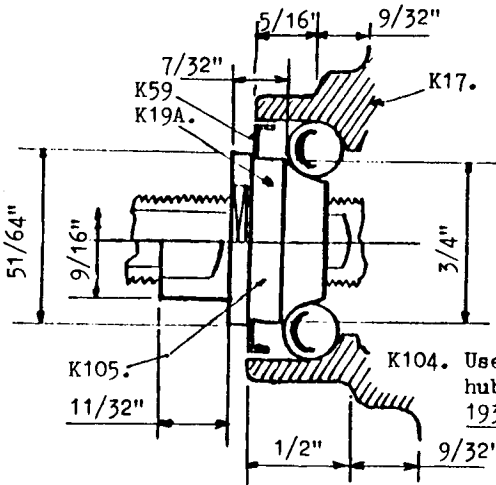
**Cones and L. H. Ball Cup Variations.**



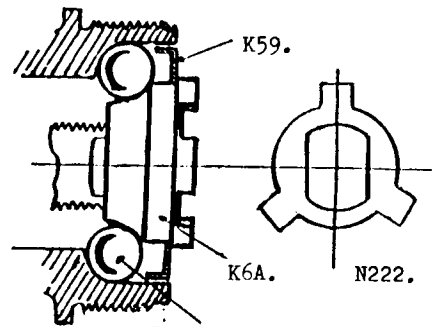
1922 - 1931.



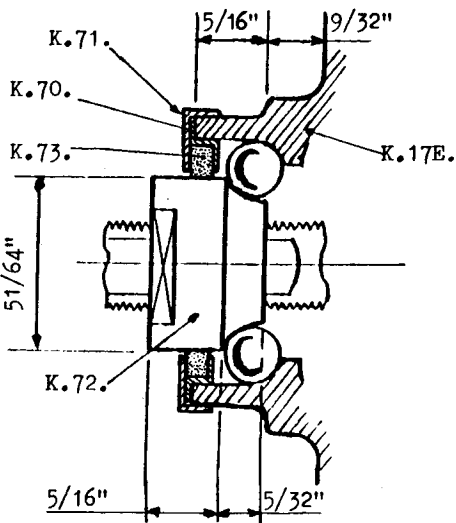
Ball Race in Cage.  
X24. 7 - 1/4" Balls.



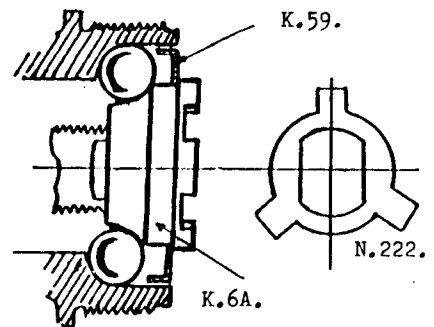
1932 - 1935.



Ball Race in Cage.  
K67. 8 - 1/4" Balls.



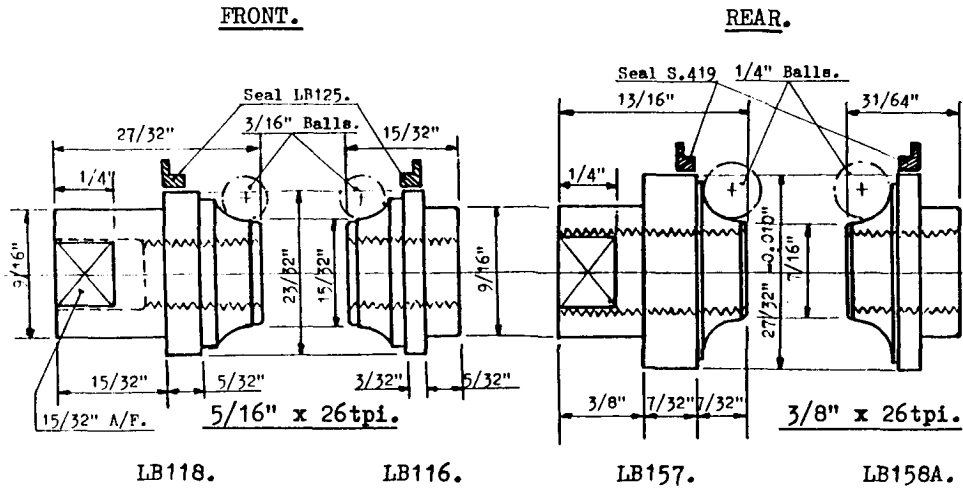
1936 - 1937.



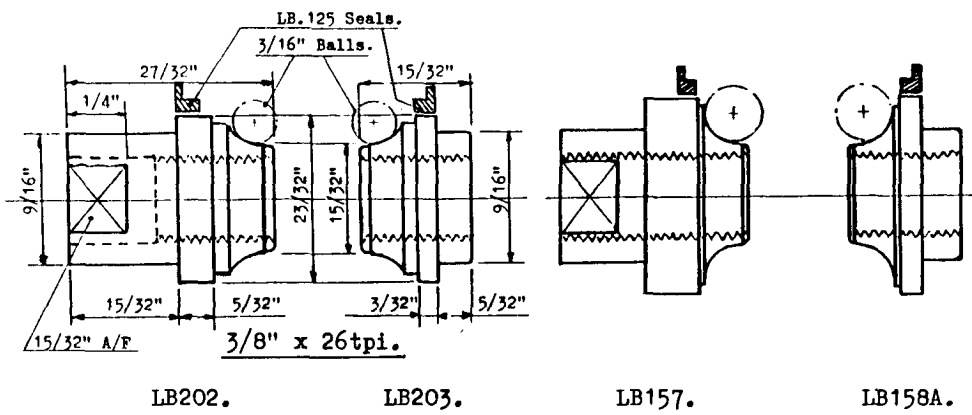
Felt Seal Type.

All Axles 13/32" x 26 tpi.

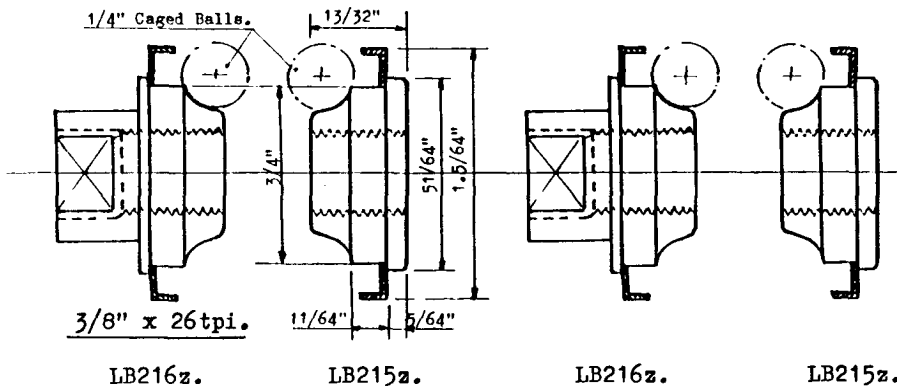
CONES for BRAKE HUBS.



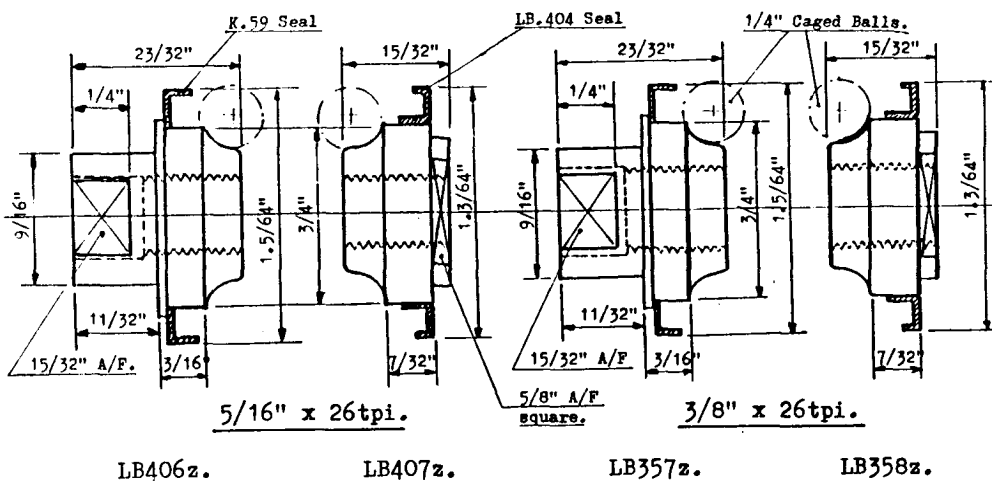
BF & BR.  
1932 - '36.



TANDEM.  
BFT & BRT.  
1934 - '35.



TANDEM.  
BFT & BRT.  
1936 - '37.

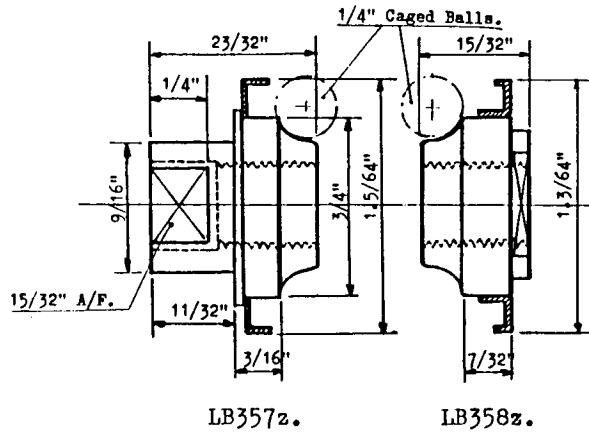


BF & BR.  
1937 - '41.

JG. 1997.

**CONES for BRAKE HUBS.**

FRONT & REAR.

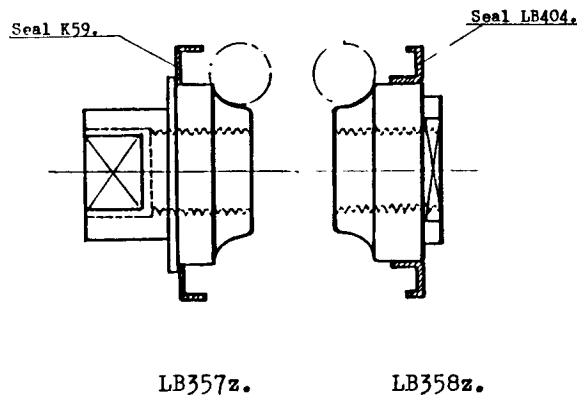


TANDEM.

BFT & BRT.

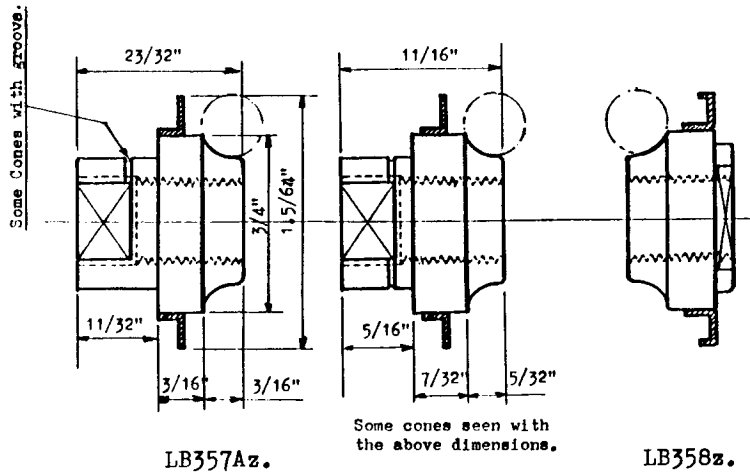
1937 - '41.

Some lists give  
LB216 for LH Cone.



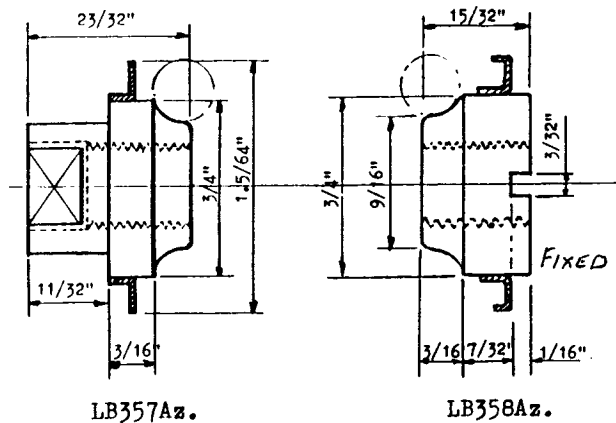
BF & BR.

1941 - '50.



BF & BR.

1950 - mid 60's.



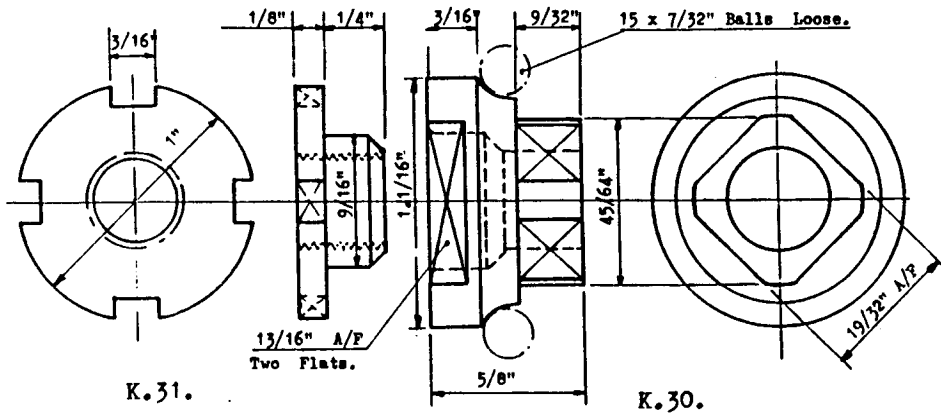
BF & BR.

Mid 60's.

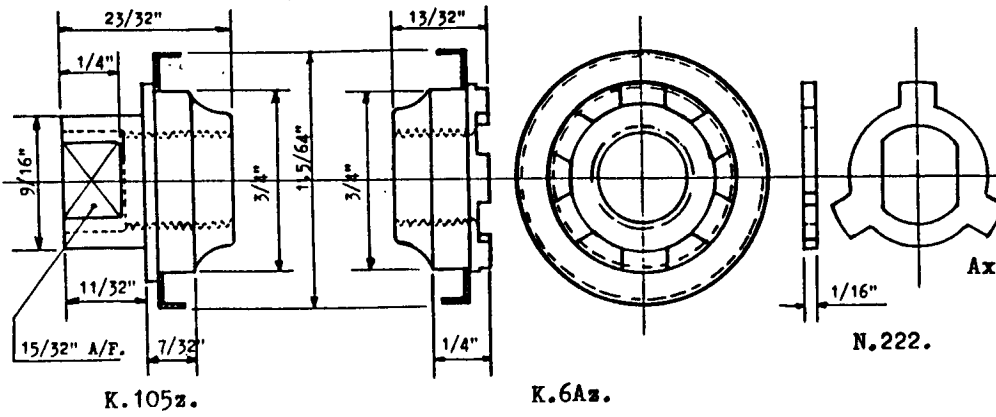
JG. 1997.

All the above have 3/8" x 26tpi Axles.

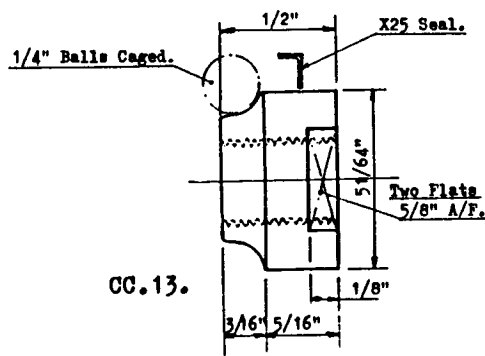
**CONES for BRAKE HUBS.**



**Model KC.**  
**1922-1935.**  
**3 - Speed/Coaster.**  
**R.H. Cone as for**  
**K Hubs.**  
**Axle 1 3/32" x 26tpi.**



**Model KB.**  
**1931-1938.**  
**3 - Speed/Brake.**  
**Axle 1 3/32" x 26tpi.**



**Model C.C.**  
**Coaster Brake.**  
**Both Models.**  
**1922 - 1924.**  
**1924 - 1936**  
**Axle 3/8" x 26tpi.**